

# Installation instruction

## Grid-system

### Lumlyx Square 120x120cm



#### Included in package

- 1 pc Lumlyx Square
- 2 pc Alu profile 180cm with wire adapter
- 4 pc Wirekit

#### Step 1

Gridsystem.

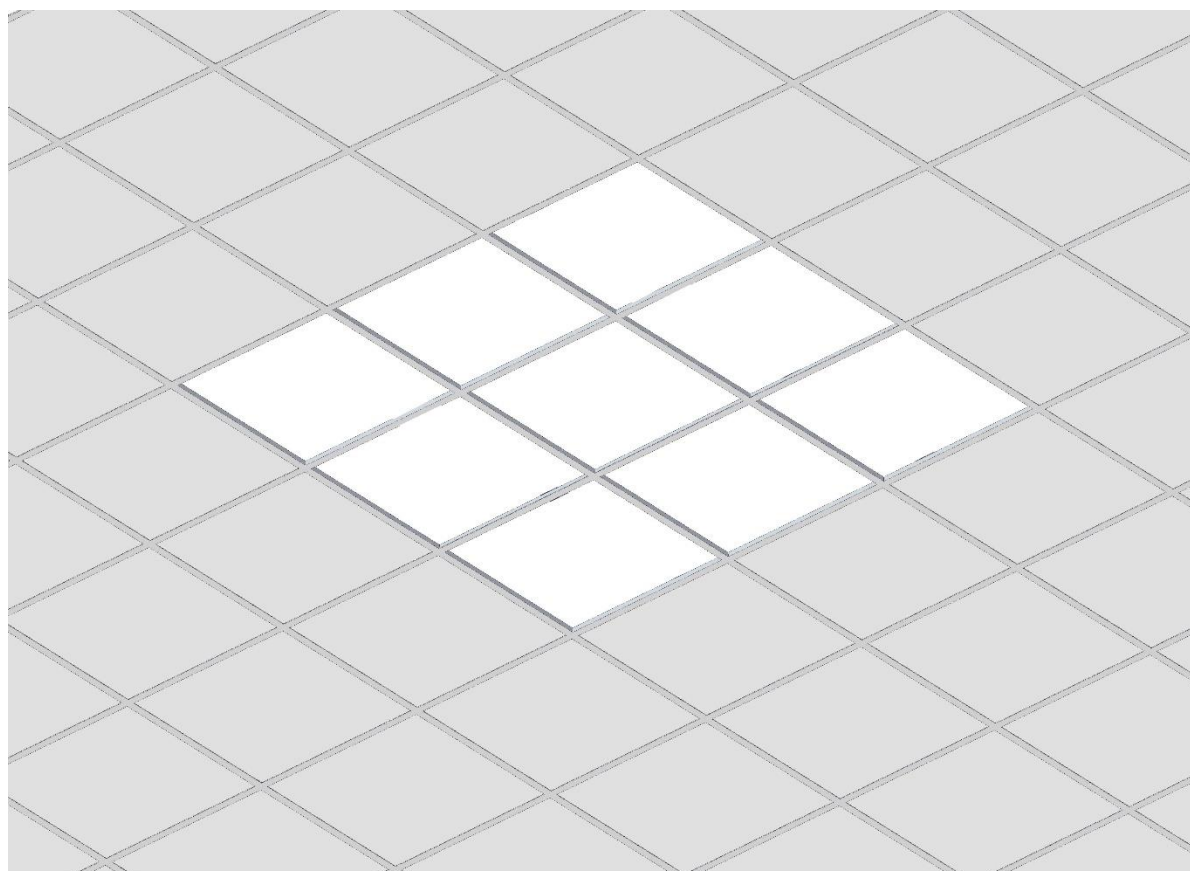
---



#### Step 2

Remove acoustic tile.

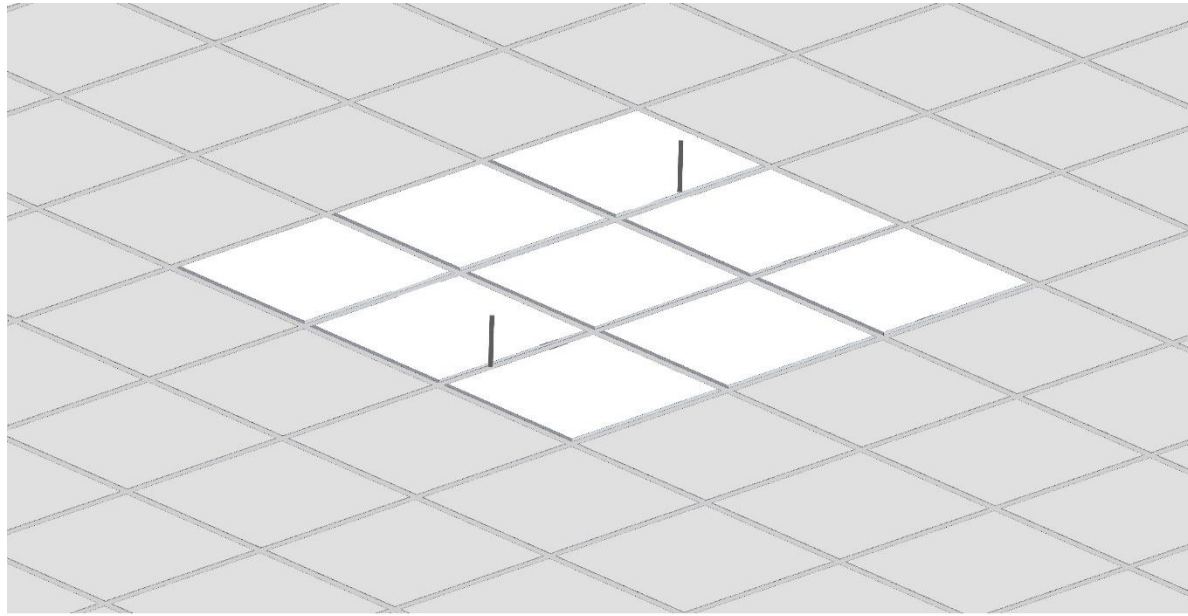
---



### Step 3

Mount two extra steel tape  
secure gridsystem if needed.

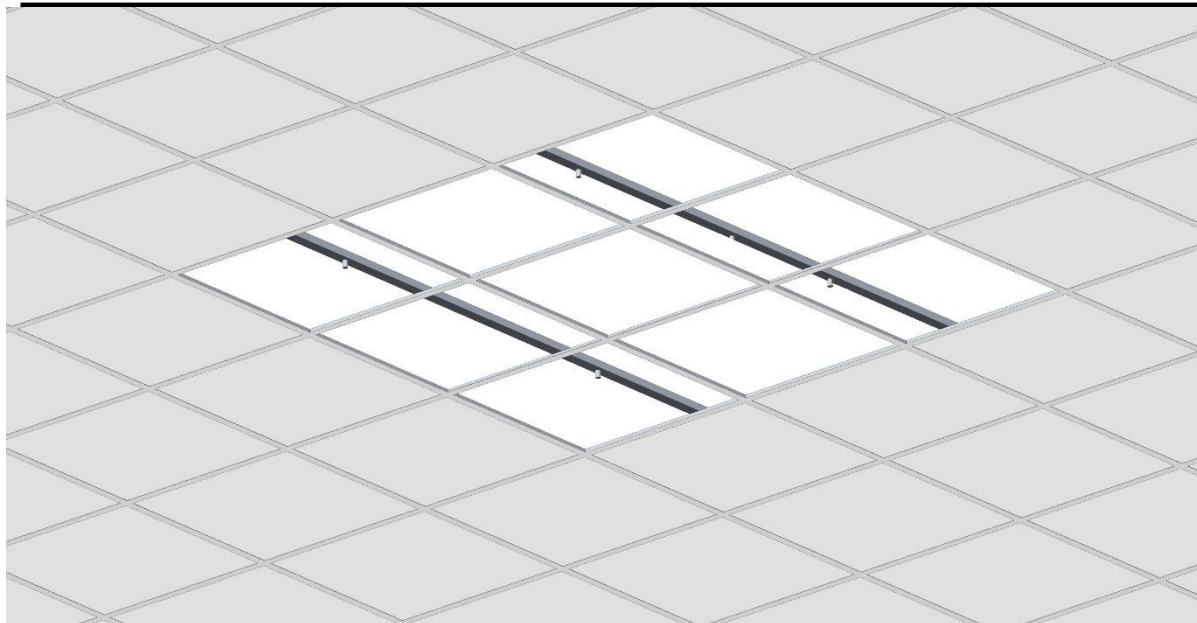
---



### Step 4

Place aluminium profile in gridsystem.

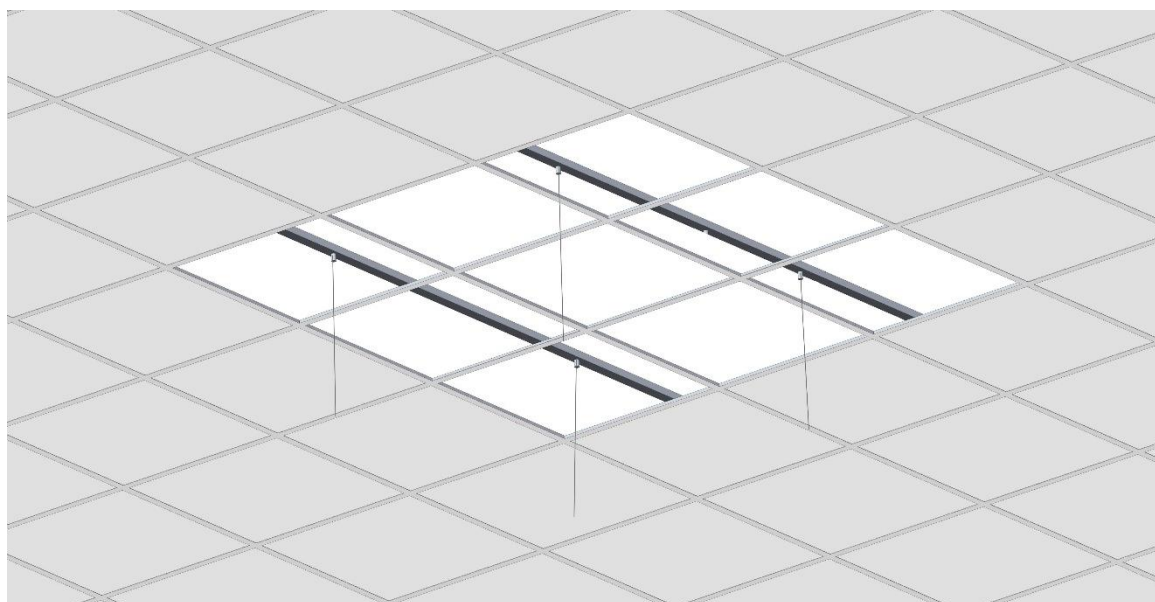
---



### Step 5

Attach wirekit on aluminium profile.

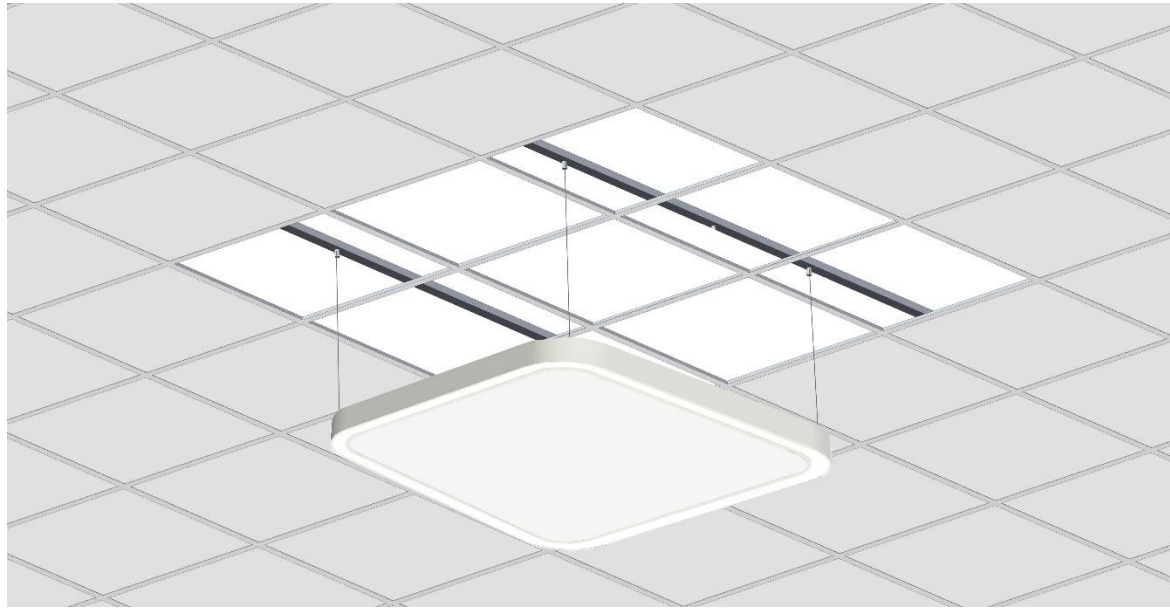
---



## Step 6

Mount Square unit to wires.

---



## Step 7

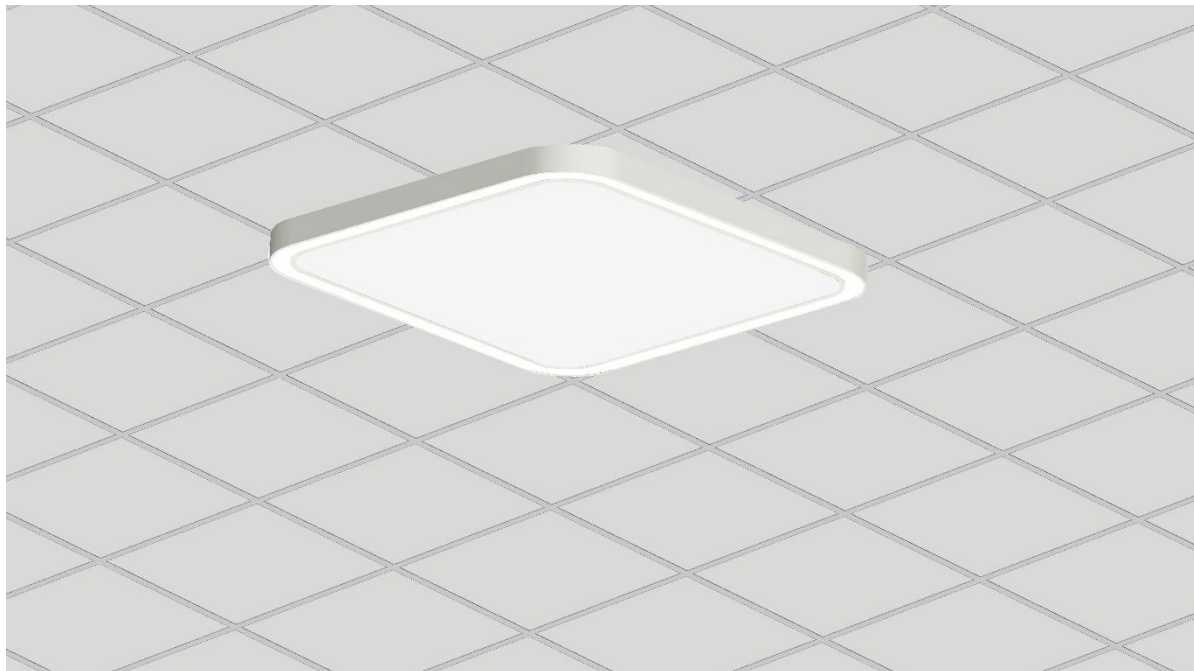
Connect electric wires according to wiring diagram. If you use wireless bluetooth, connect the plug to 230V.

---

## Step 8

Push up Square unit to the gridsystem  
Replace acoustic tile.  
Enjoy! 😊

---



## Questions?

Call support: 0046734116240